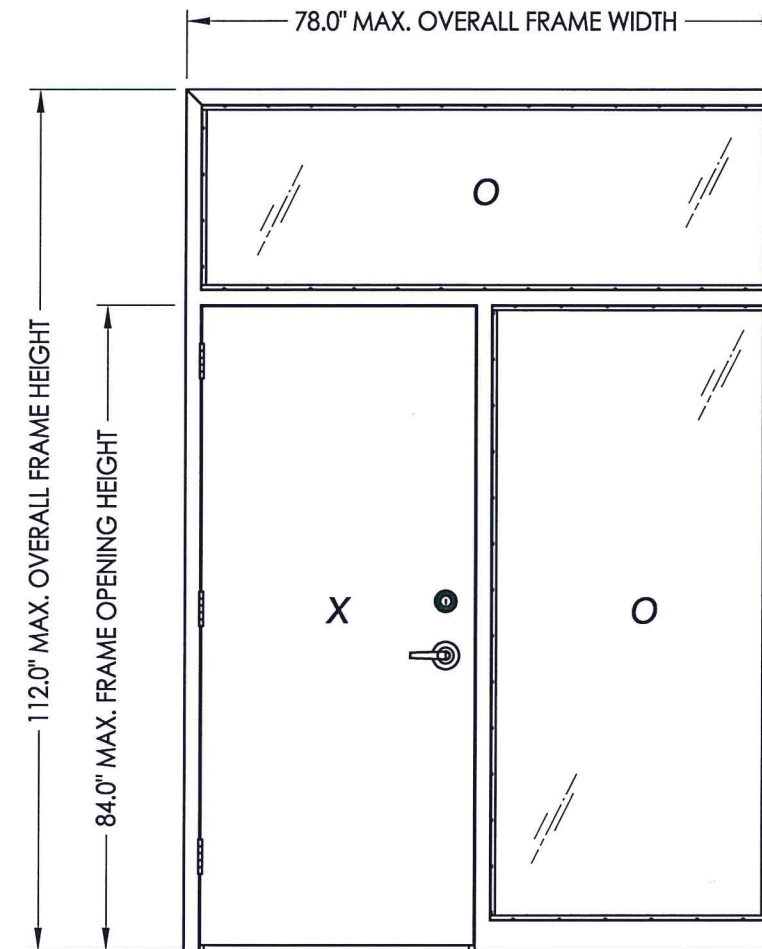


"D" SERIES COMMERCIAL STEEL DOOR w/ SIDELITE & TRANSOM IN SWING / OUT SWING "NON-IMPACT"

GENERAL NOTES

1. This product has been evaluated and is in compliance with the 7th Edition (2020) Florida Building Code (FBC) structural requirements excluding the "High Velocity Hurricane Zone" (HVHZ).
2. Product anchors shall be as listed and spaced as shown on details. Anchor embedment to base material shall be beyond wall dressing or stucco.
3. When used in areas requiring wind borne debris protection this product is required to be protected with an impact resistant covering that complies with FBC Section 1609.1.2.
4. Site conditions that deviate from the details of this drawing require further engineering analysis by a licensed engineer or registered architect.
5. The "D" door achieves a Class I stiffness classification per Section 8.2.2 of ANSI A250.13 (based on opaque door).

TABLE OF CONTENTS	
SHEET #	DESCRIPTION
1	Typical elevations, design pressures, & general notes
2	Door panel sections 161 lock prep
3	Horizontal cross sections
4	Vertical cross sections
5	Vertical cross sections
6	Vertical cross sections
7	Anchoring details
8	Glazing detail & components
9	Bill of materials & components

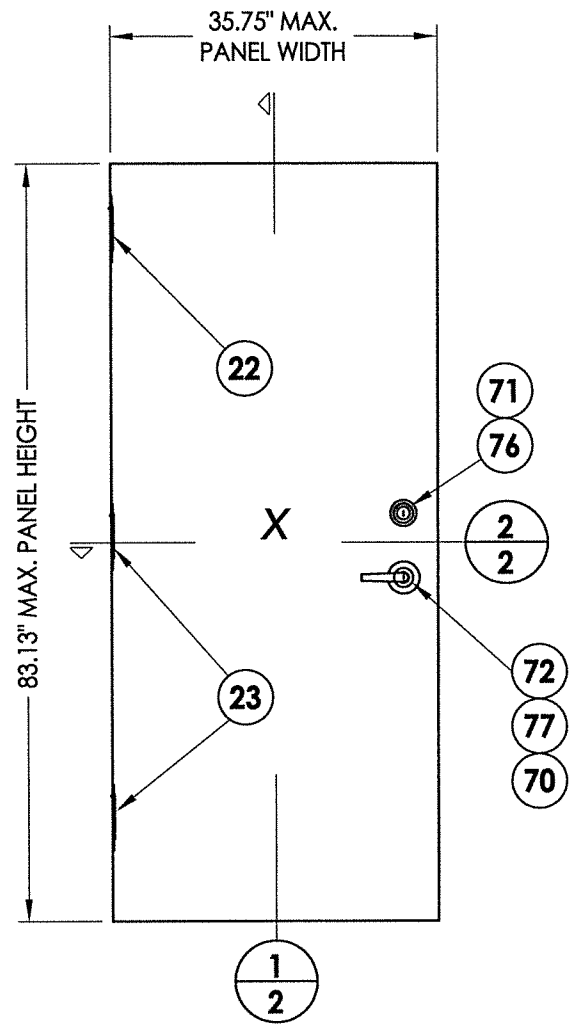


SWING	OVERALL FRAME DIMENSION	OVERALL D.L.O. DIMENSION	LOCK TYPE	DESIGN PRESSURE (PSF)	
				POSITIVE	NEGATIVE
IN SWING	78.0" x 112.0"	34.75" x 78.75"	161 LATCH (SCHLAGE)	+55.0	-55.0
	78.0" x 112.0"	34.75" x 78.75"	161 LATCH & DEADBOLT (DESIGN HARDWARE)	+65.0	-70.0
OUT SWING	78.0" x 112.0"	34.75" x 78.75"	161 LATCH (SCHLAGE)	+55.0	-55.0
	78.0" x 112.0"	34.75" x 78.75"	161 LATCH & DEADBOLT (DESIGN HARDWARE)	+65.0	-70.0

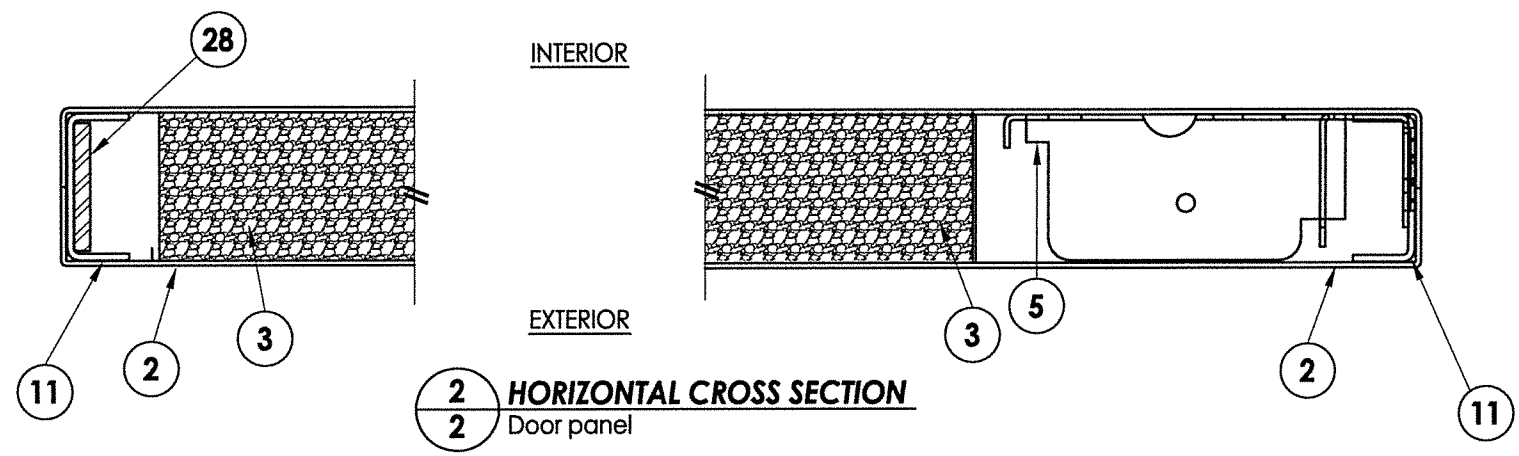
November 15, 2022
 Documents Prepared By:
 Lyndon F. Schmidt
 P.E. No. 43409

RW
 BUILDING CONSULTANTS, INC.
 P.O. Box 230, Valrico, FL 33595
 Phone No.: 813.659.9197
 FBPE Registry No. 9813

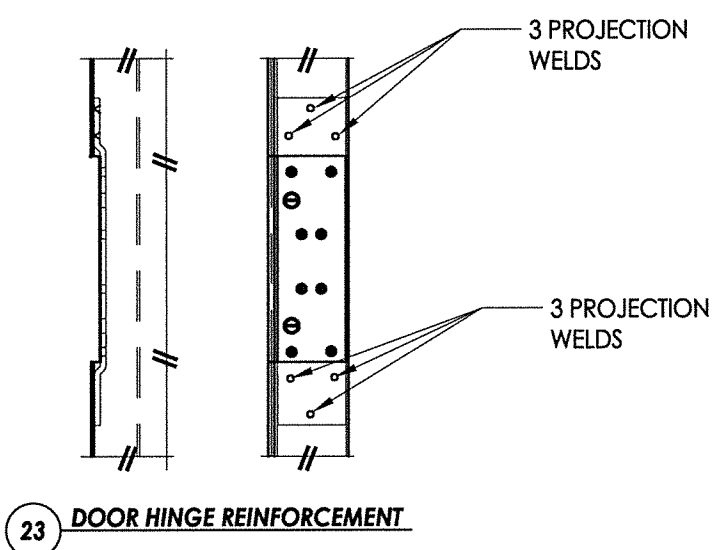
PRODUCT: PREMIER PRODUCTS, INC. "D" STEEL DOOR	PART OR ASSEMBLY: TYPICAL ELEVATIONS, DESIGN PRESSURES & GENERAL NOTES
NO. DATE	BY
REVISIONS	
DATE: 11/10/22	
SCALE: N.T.S.	
DWG. BY: LFS	
CHK. BY: RW	
DRAWING NO.: FL-41788.7	
SHEET 1 OF 9	



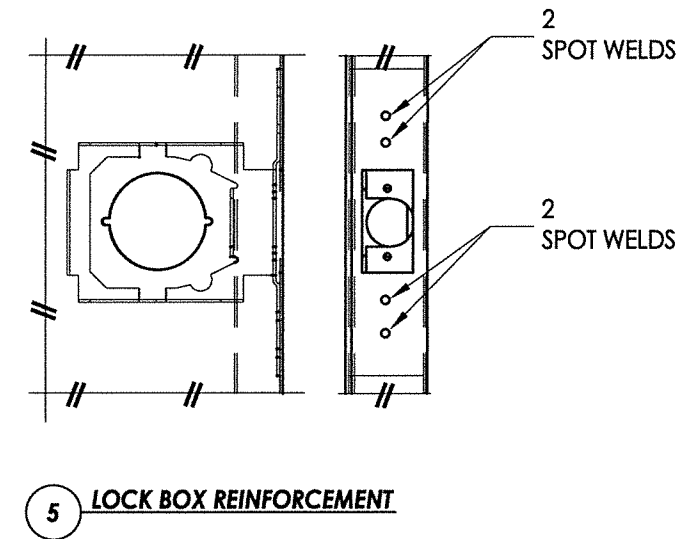
1 "D" OPAQUE STEEL DOOR PANEL



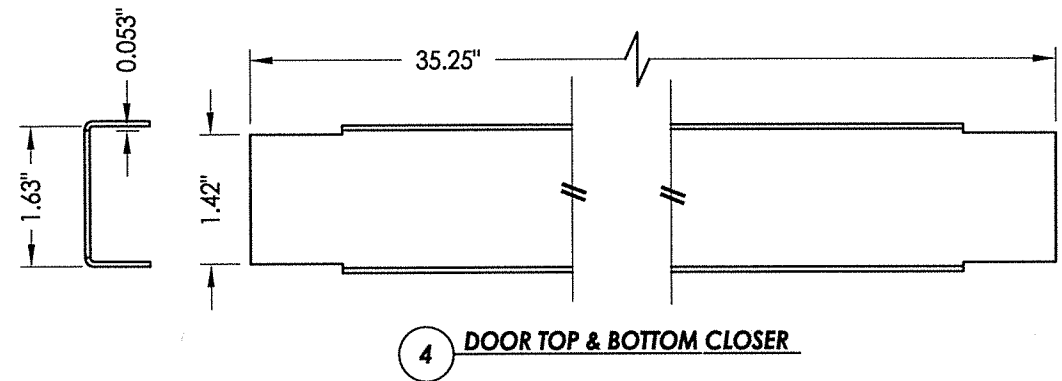
2 HORIZONTAL CROSS SECTION
2 Door panel



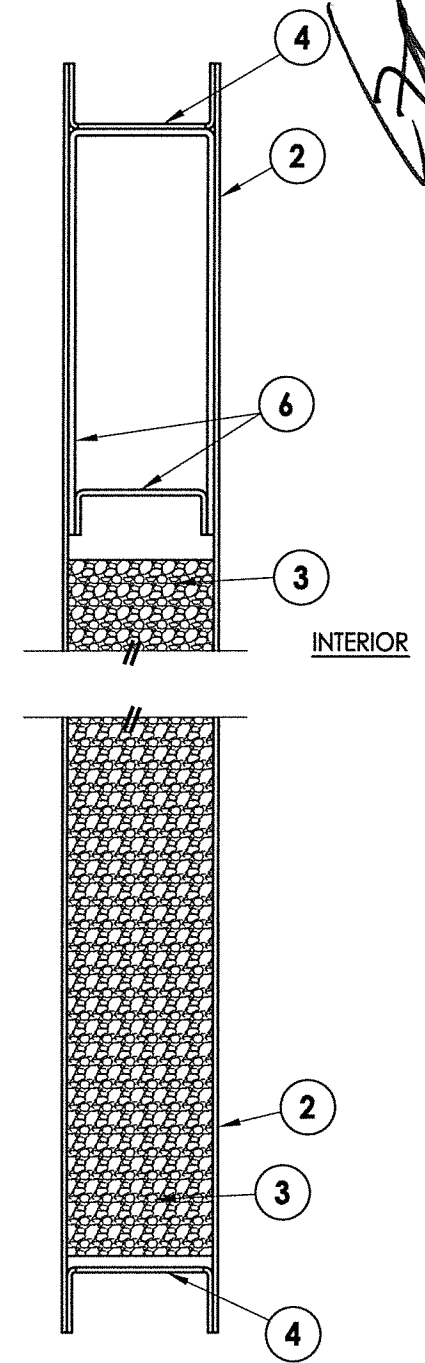
23 DOOR HINGE REINFORCEMENT



5 LOCK BOX REINFORCEMENT



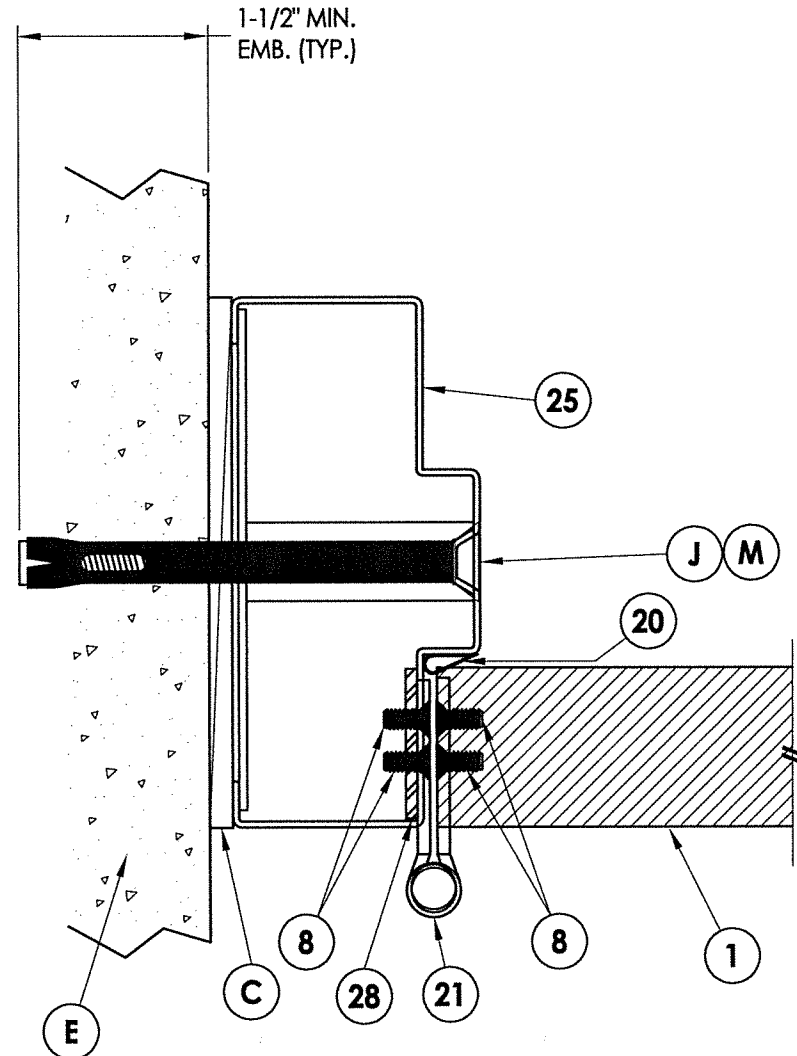
4 DOOR TOP & BOTTOM CLOSER



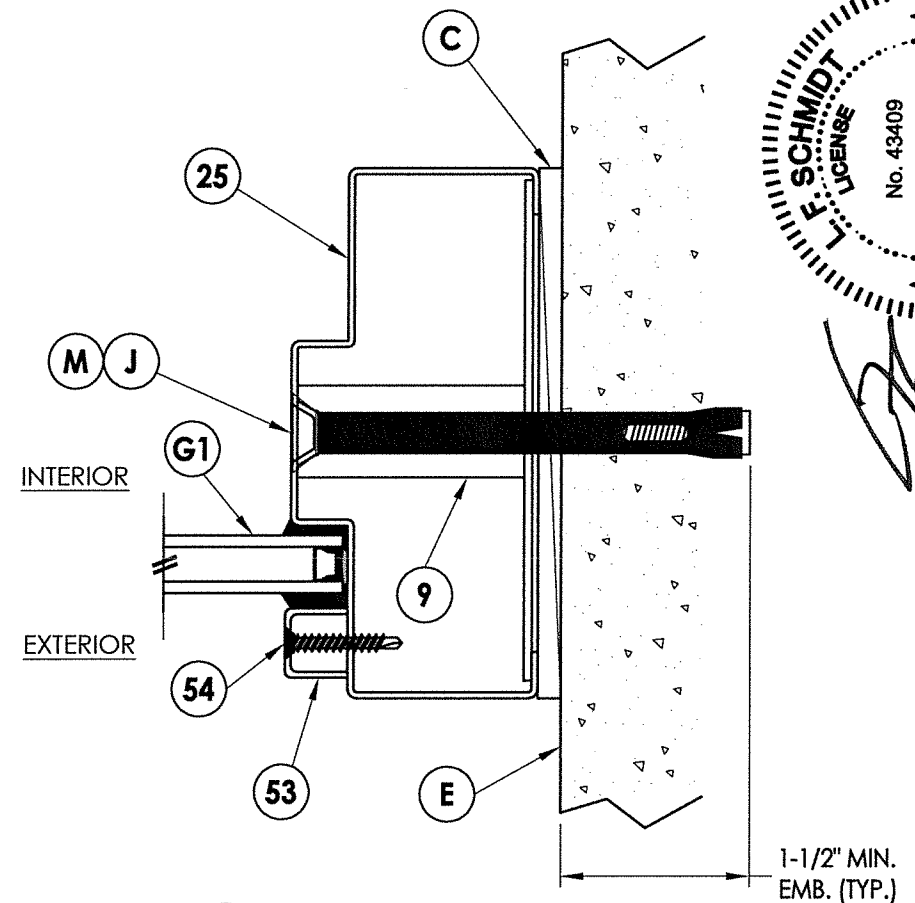
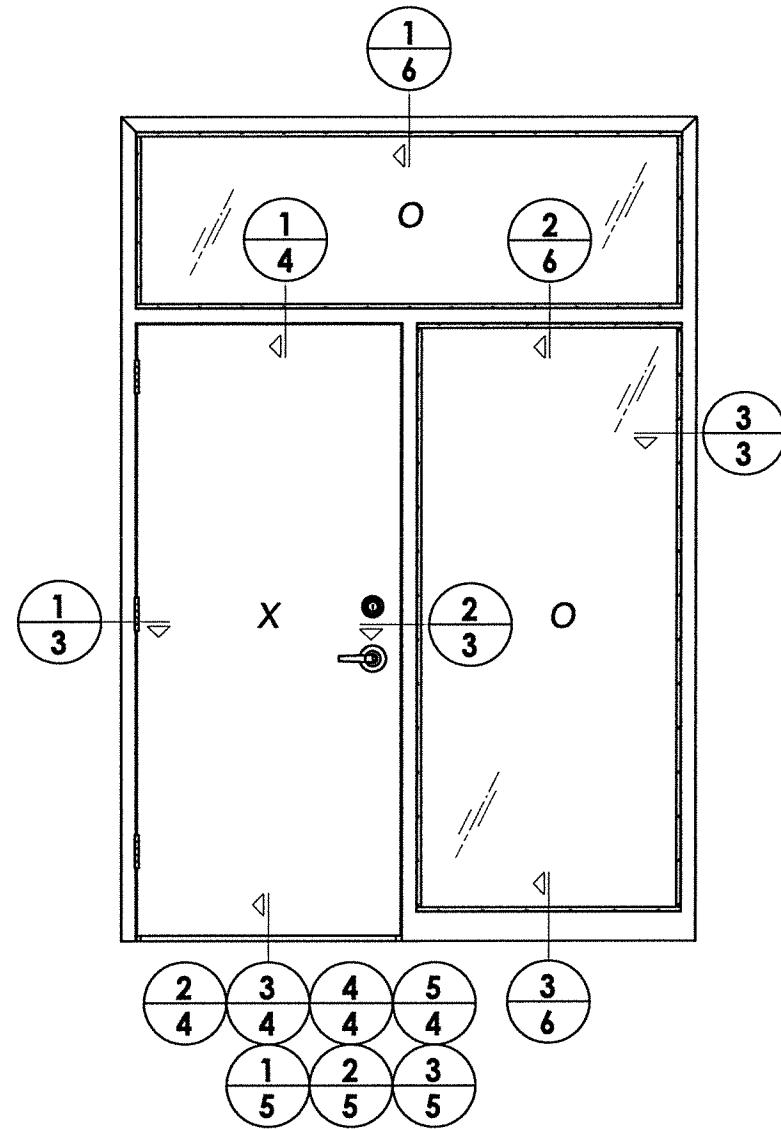
1 VERTICAL CROSS SECTION
2 Door panel

November 15, 2022
 Documents Prepared By:
 Lyndon F. Schmidt
 P.E. No. 43409
 R.W. BUILDING CONSULTANTS, INC.
 P.O. Box 230, Valrico, FL 33595
 Phone No.: 813.659.9197
 FBPE Registry No. 9813

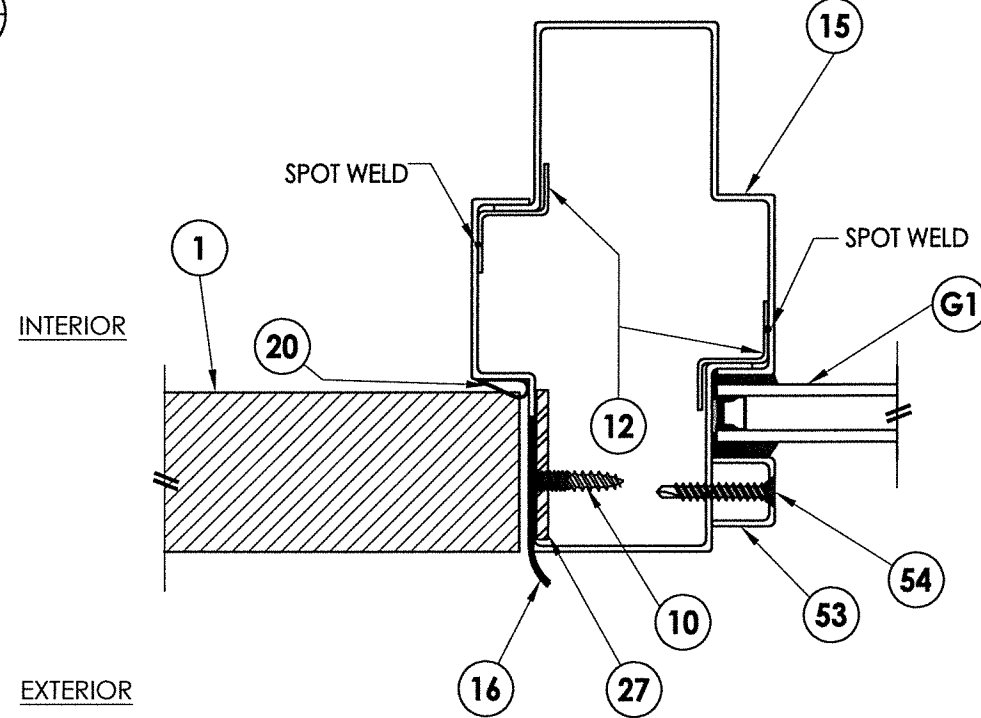
PRODUCT: PREMIER PRODUCTS, INC. "D" STEEL DOOR	
PART OR ASSEMBLY: DOOR PANEL SECTIONS 161 LOCK PREP	
NO.	DATE
BY	REVISIONS
DATE: 11/10/22	
SCALE: N.T.S.	
DWG. BY: LFS	
CHK. BY: RW	
DRAWING NO.: FL-41788.7	
SHEET 2 OF 9	



1 HORIZONTAL CROSS SECTION
3 Outswing shown
Inswing also approved



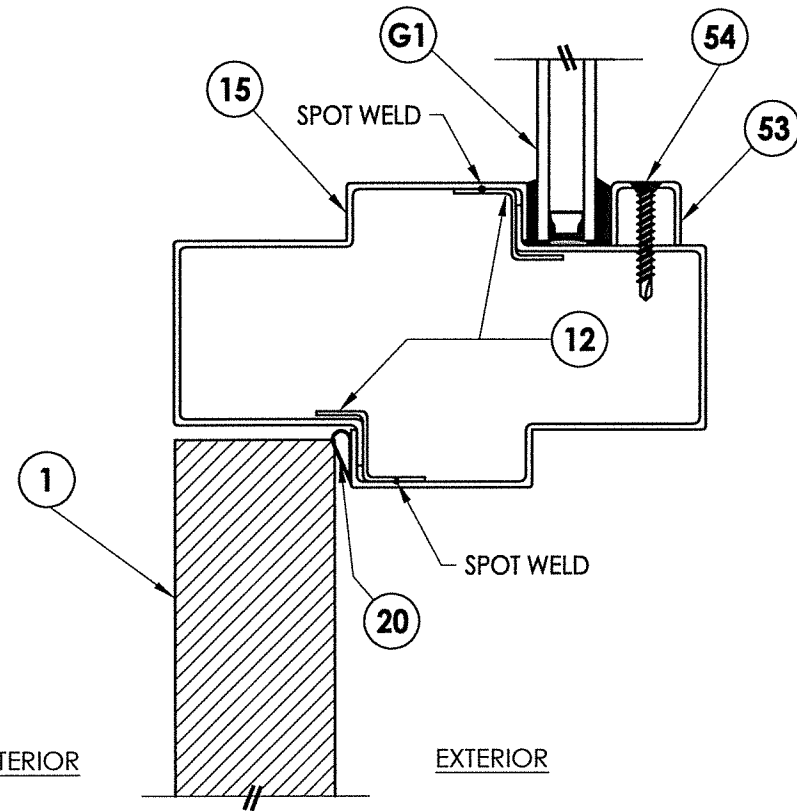
4 HORIZONTAL CROSS SECTION



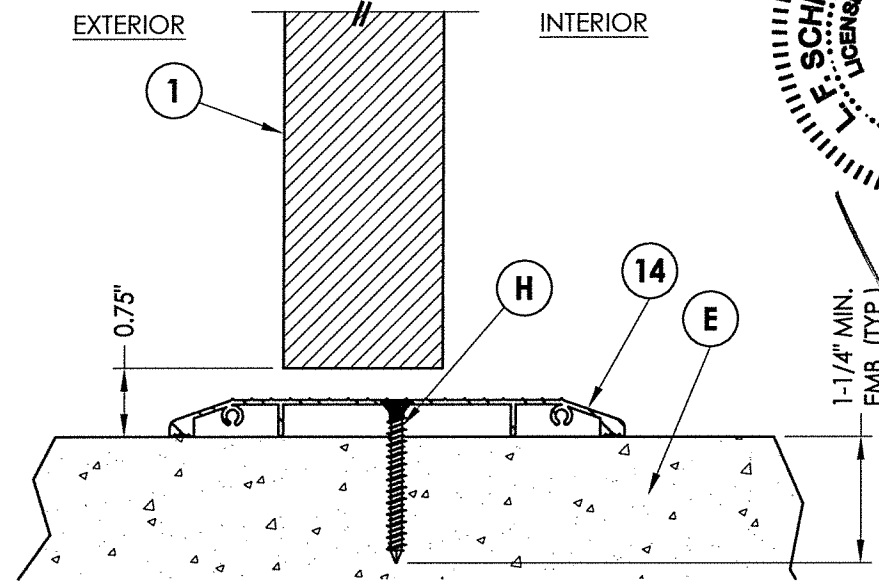
2 HORIZONTAL CROSS SECTION
3 Outswing shown
Inswing also approved

Professional Engineer Seal: F. SCHMIDT, License No. 43409, State of Florida. Documents Prepared By: Lyndon F. Schmidt, P.E. No. 43409. Date: November 15, 2022. Professional Engineer: R.W. Building Consultants, Inc. P.O. Box 230, Valrico, FL 33595. Phone No.: 813.659.9197. FBPE Registry No. 9813.

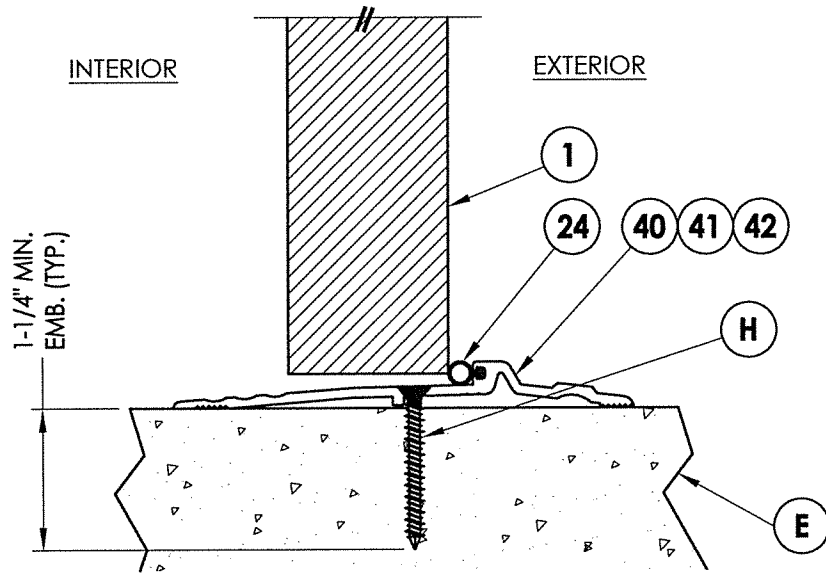
PRODUCT:	PREMIER PRODUCTS, INC. "D" STEEL DOOR	
PART OR ASSEMBLY:	HORIZONTAL CROSS SECTIONS	
NO.	DATE	BY
		REVISIONS
DATE:	11/10/22	
SCALE:	N.T.S.	
DWG. BY:	LFS	
CHK. BY:	RW	
DRAWING NO.:	FL-41788.7	
SHEET	3	OF 9



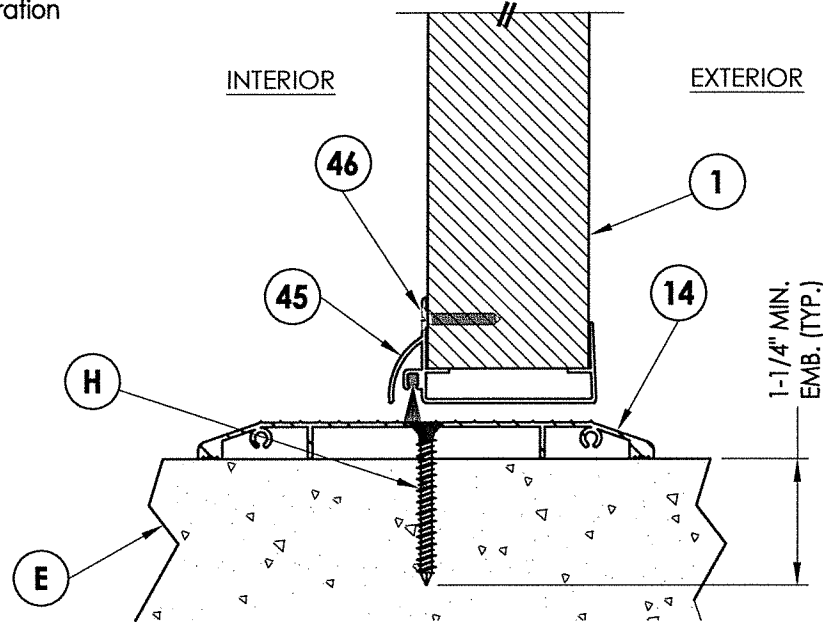
1
4 VERTICAL CROSS SECTION
Inswing configuration



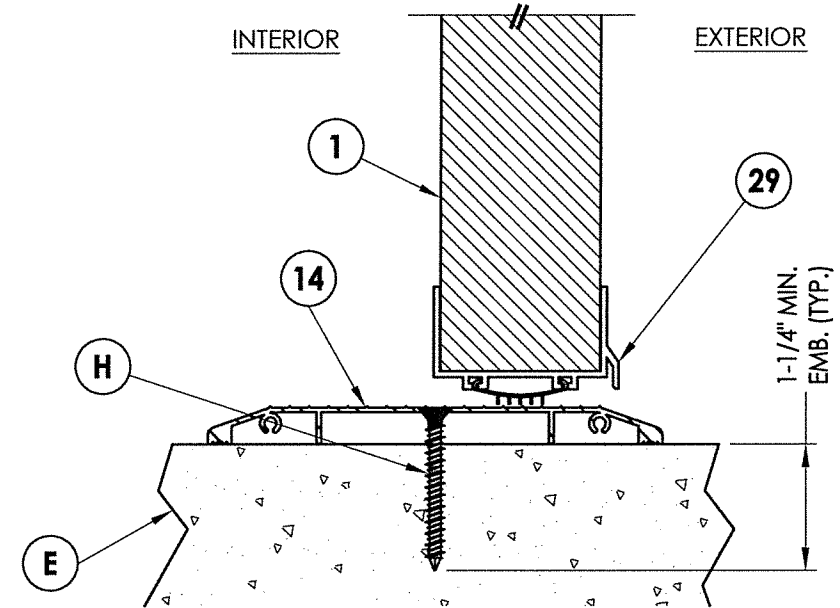
5
4 VERTICAL CROSS SECTION



2
4 VERTICAL CROSS SECTION
Inswing configuration



3
4 VERTICAL CROSS SECTION
Inswing configuration



4
4 VERTICAL CROSS SECTION
Inswing configuration

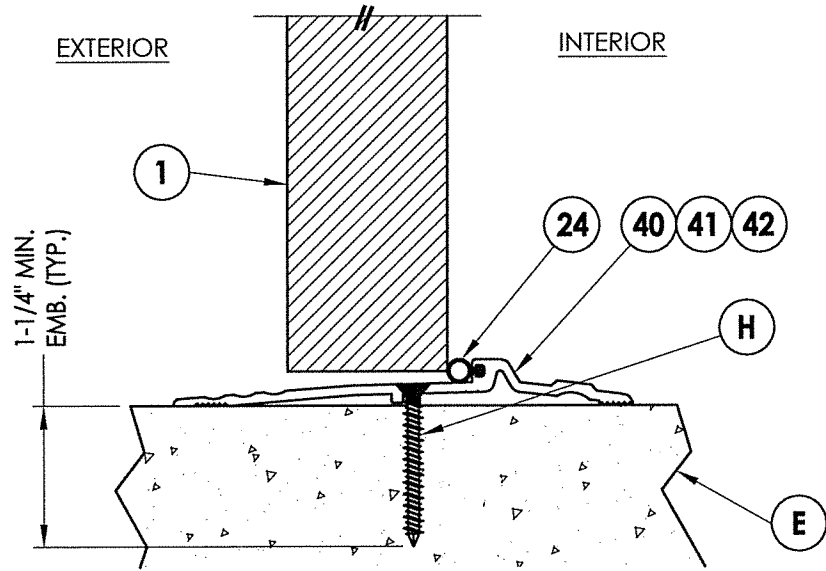
E. SCHMIDT
P.E. LICENSE
No. 43409
STATE OF FLORIDA
PROFESSIONAL ENGINEER

November 15, 2022

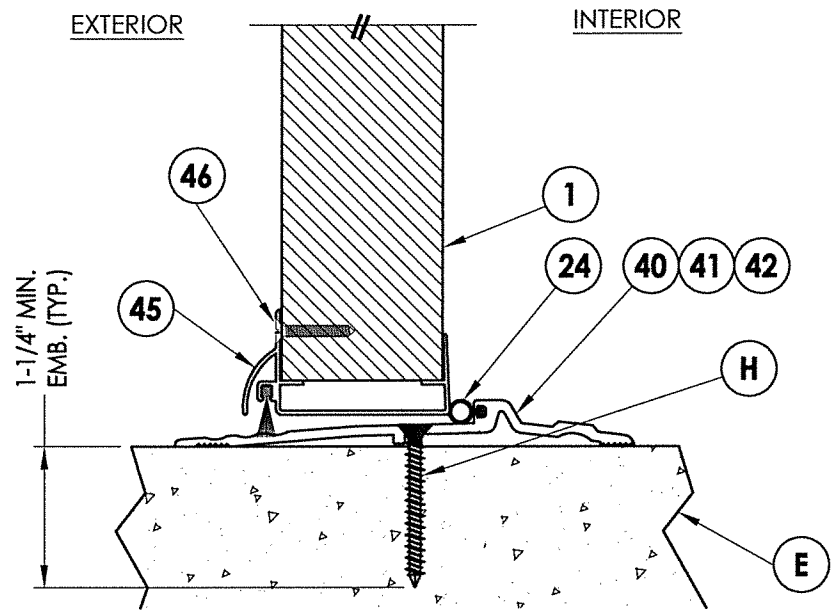
Documents Prepared By:
Lyndon F. Schmidt
P.E. No. 43409

R.W. BUILDING CONSULTANTS, INC.
P.O. Box 230, Valrico, FL 33595
Phone No.: 813.659.9197
FBPE Registry No. 9813

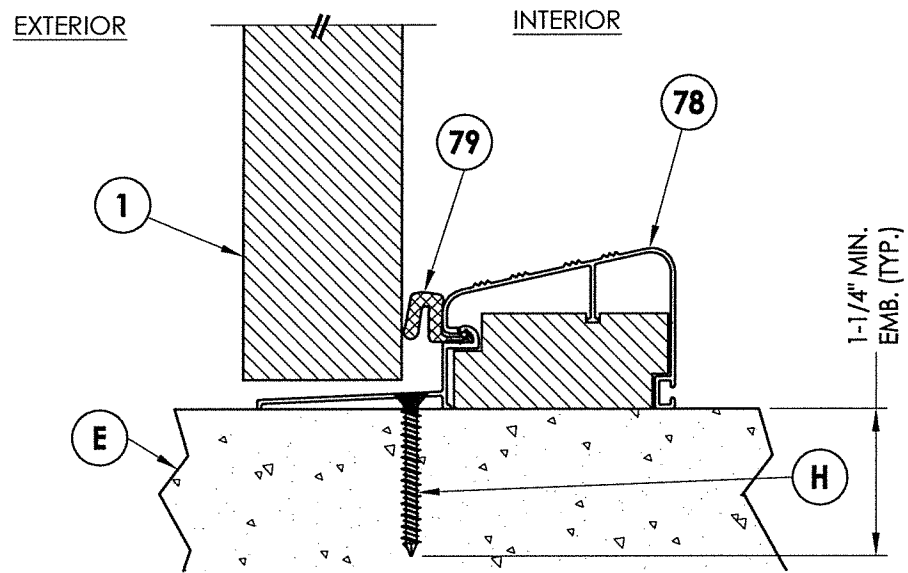
PRODUCT: PREMIER PRODUCTS, INC. "D" OPAQUE STEEL DOOR		NO.	DATE	BY
PART OR ASSEMBLY: VERTICAL CROSS SECTIONS				
		REVISIONS		
DATE: 11/10/22				
SCALE: N.T.S.				
DWG. BY: LFS				
CHK. BY: RW				
DRAWING NO.: FL-41788.7				
SHEET 4 OF 9				



2 VERTICAL CROSS SECTION
5 Outswing configuration

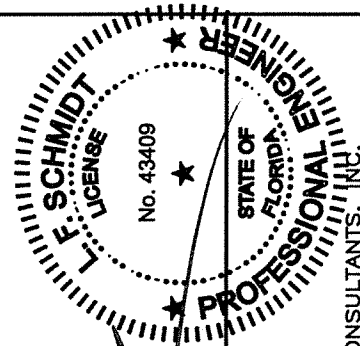


1 VERTICAL CROSS SECTION
5 Outswing configuration

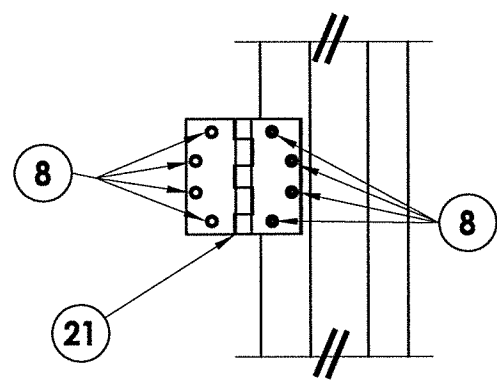


3 VERTICAL CROSS SECTION
5 Outswing configuration

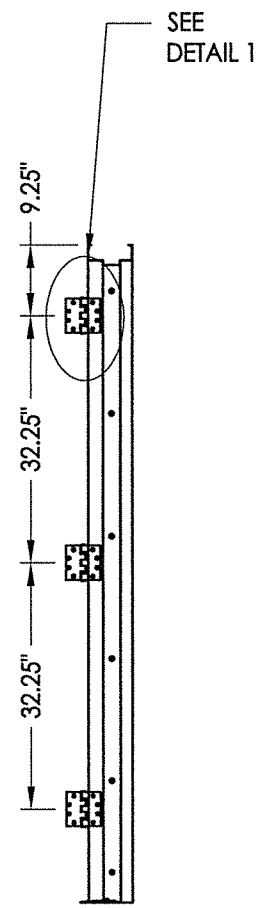
DATE:	11/10/22		
SCALE:	N.T.S.		
DWG. BY:	LFS		
CHK. BY:	RW		
DRAWING NO.:	FL-41788.7		
SHEET	5 OF 9		
PRODUCT:	PREMIER PRODUCTS, INC. "D" OPAQUE STEEL DOOR		
PART OR ASSEMBLY:	VERTICAL CROSS SECTIONS		
NO.	DATE	BY	REVISIONS


 November 15, 2022
 Documents Prepared By:
 Lyndon F. Schmidt
 P.E. No. 43409
 RW BUILDING CONSULTANTS, INC.
 P.O. Box 230, Valrico, FL 33595
 Phone No.: 813.659.9197
 FBPE Registry No. 9813

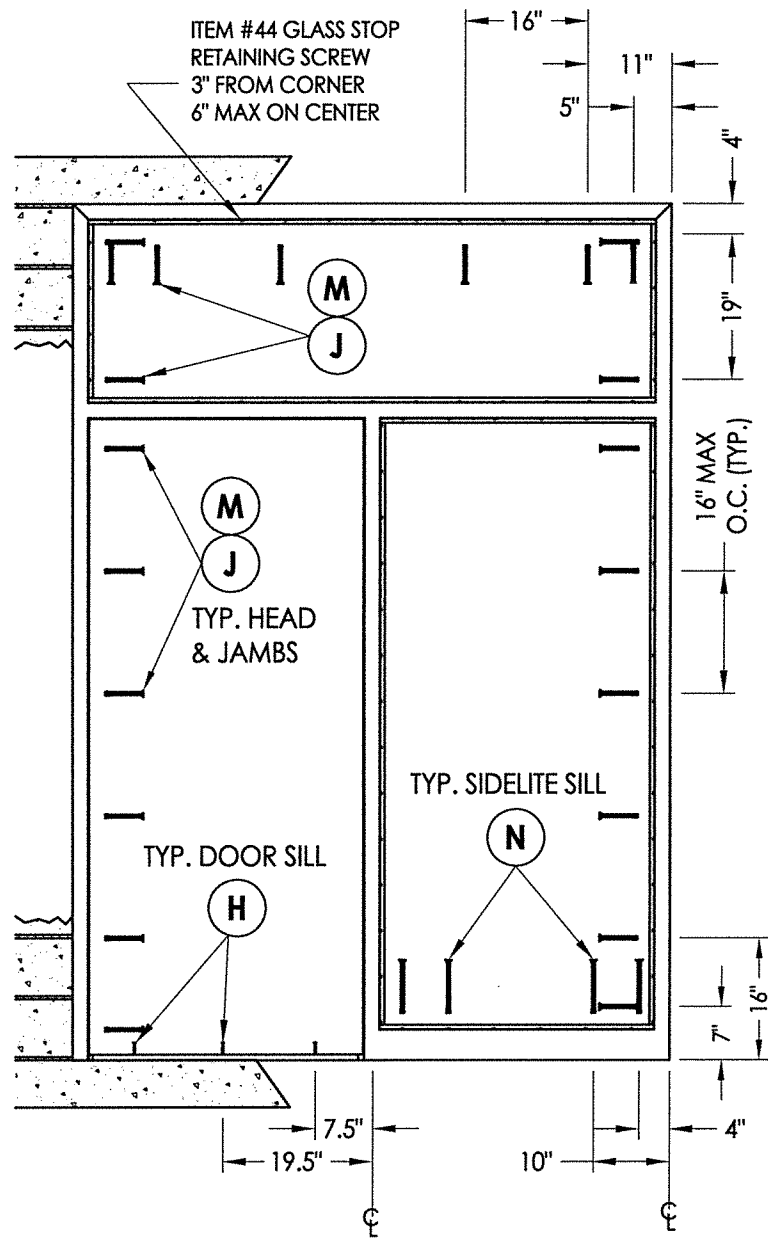
Z:\Clients\Premier Products PERMANENT\A - Florida Product Approvals\FL-41788\C - Drawings\FL-41788.5-9.dwg



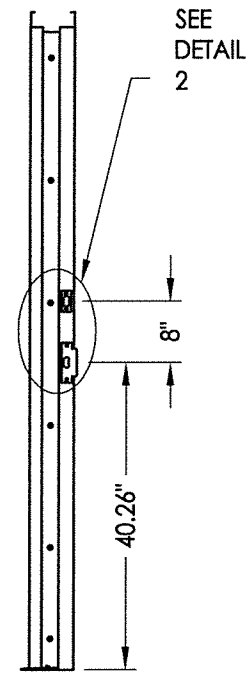
DETAIL 1



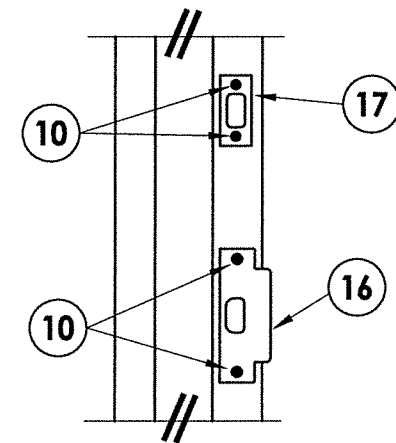
HINGE JAMB



FRAME ANCHORING



STRIKE JAMB

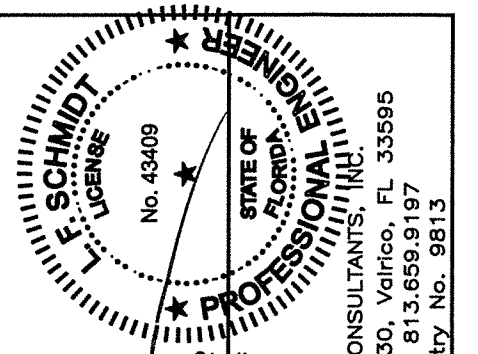


DETAIL 2

ANCHOR NOTES:

- Substitution of equal concrete screws from a different supplier may have different edge distance and center distance requirements.
- Concrete screw locations at the corners may be adjusted to maintain the minimum edge distance to mortar joints. If concrete screw locations noted as "MAX. ON CENTER" must be adjusted to maintain the minimum edge distance to mortar joints, additional concrete screws may be required to ensure the maximum on center dimension is not exceeded.
- Concrete Anchor Table:

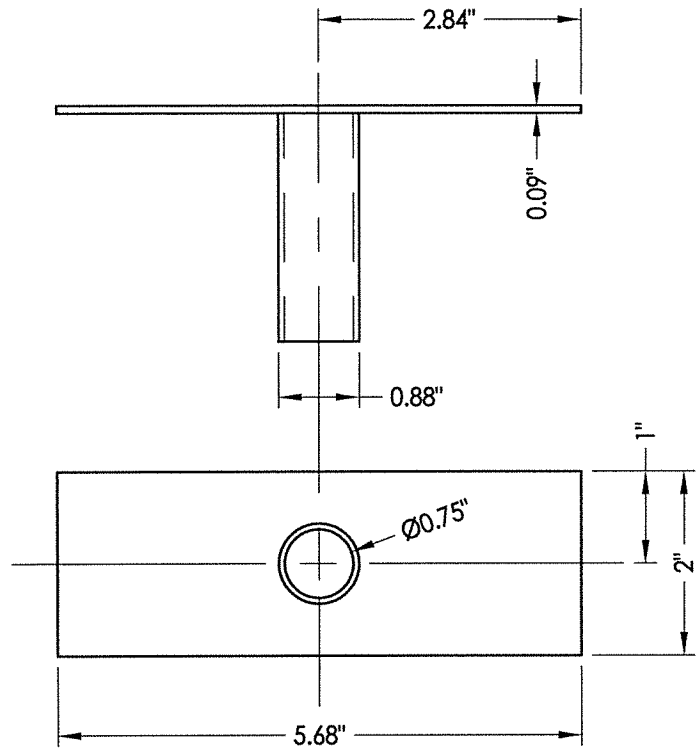
ANCHOR TYPE	ANCHOR SIZE	MINIMUM EMBEDMENT	MINIMUM CLEARANCE TO MASONRY EDGE	MINIMUM CLEARANCE TO ADJACENT ANCHOR
ITW TAPCON®	1/4"	1-1/4"	2-1/2"	4"
DYNABOLT SLEEVE ANCHOR	3/8"	1-1/2"	2-1/4"	4-1/2"
POWERS TAPPER	3/8"	1-1/2"	4"	3-3/4"
SCREW-BOLT+™	1/2"	2-1/2"	6"	6"



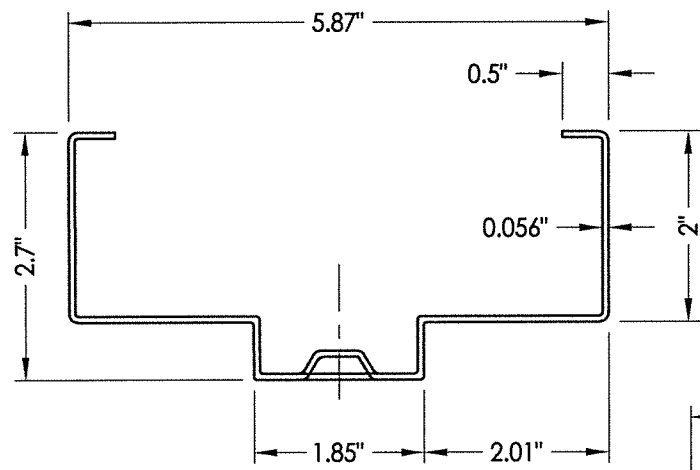
November 15, 2022
 Documents Prepared By:
 Lyndon F. Schmidt
 P.E. No. 43409
RW
 BUILDING CONSULTANTS, INC.
 P.O. Box 230, Valrico, FL 33595
 Phone No.: 813.659.9197
 FBPE Registry No. 9813

PRODUCT:		PREMIER PRODUCTS, INC. "D" STEEL DOOR	
PART OR ASSEMBLY:		ANCHORING DETAILS	
NO.	DATE	BY	REVISIONS
DATE: 11/10/22		SCALE: N.T.S.	
DWG. BY: LFS		CHK. BY: RW	
DRAWING NO.: FL-41788.7		SHEET 7 OF 9	

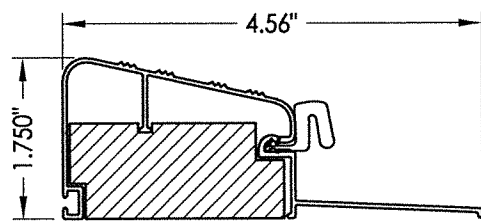
Z:\Clients\Premier Products PERMANENTVA - Florida Product Approvals\FL-41788\C - Drawings\FL-41788(2020)\FL-41788.5-9.dwg



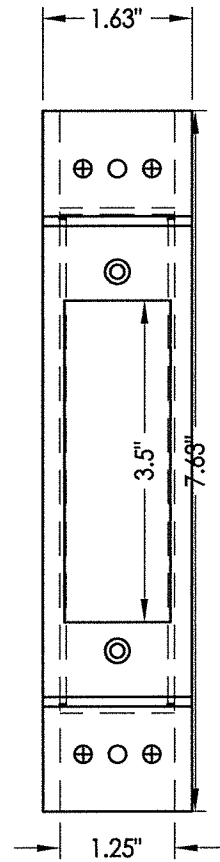
9 TUBE ANCHOR



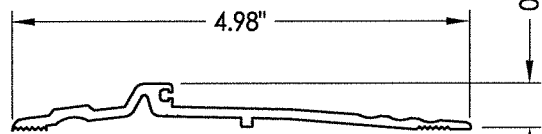
25 HOLLOW METAL FRAME



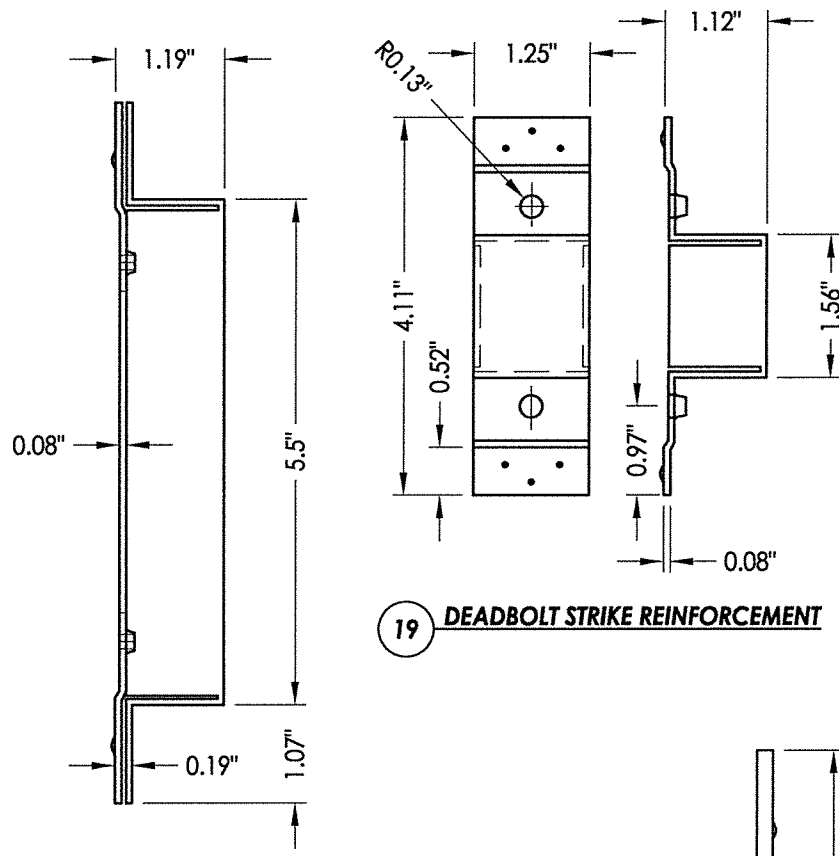
78 OUTSWING THRESHOLD



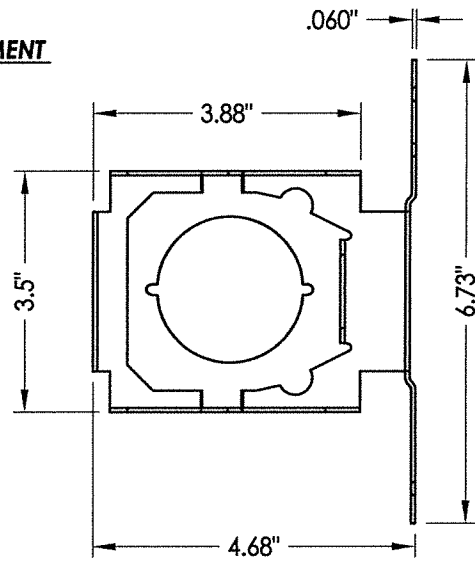
27 LATCH STRIKE REINFORCEMENT



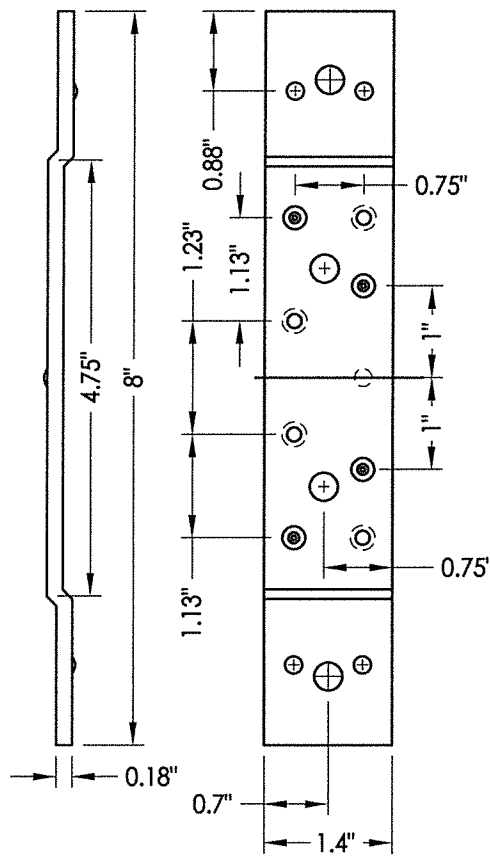
40 THRESHOLD



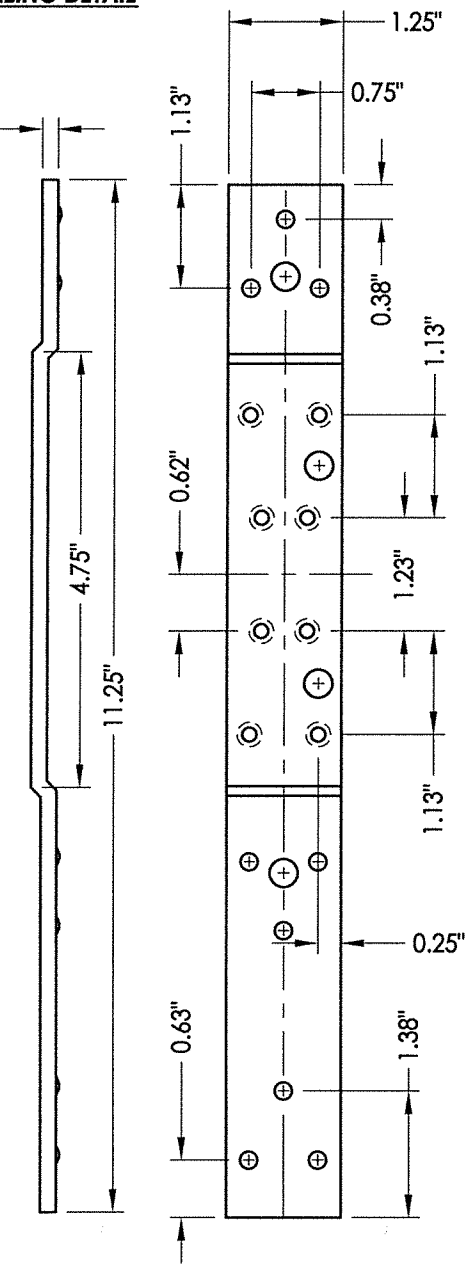
19 DEADBOLT STRIKE REINFORCEMENT



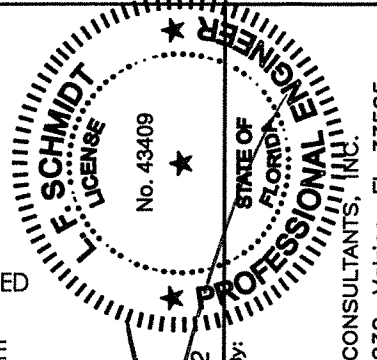
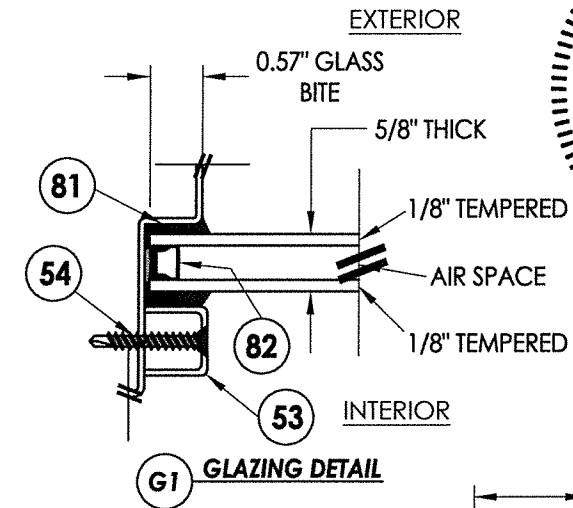
5 LOCK BOX REINFORCEMENT



23 STANDARD (SHORT) DOOR HINGE
Reinforcement middle and bottom hinge



22 STANDARD (LONG) DOOR HINGE
Reinforcement top hinge

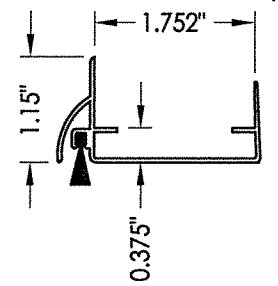


November 15, 2022
Documents Prepared By:
Lyndon F. Schmidt
P.E. No. 43409

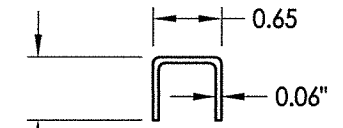
RW BUILDING CONSULTANTS, INC.
P.O. Box 230, Vairico, FL 33595
Phone No.: 813.659.9197
FBPE Registry No. 9813

PRODUCT: PREMIER PRODUCTS, INC. "D" STEEL DOOR		PART OR ASSEMBLY: GLAZING DETAIL AND COMPONENTS	
REVISIONS		NO.	DATE
		BY	
DATE: 11/10/22		SCALE: N.T.S.	
DWG. BY: LFS		CHK. BY: RW	
DRAWING NO.: FL-41788.7		SHEET 8 OF 9	

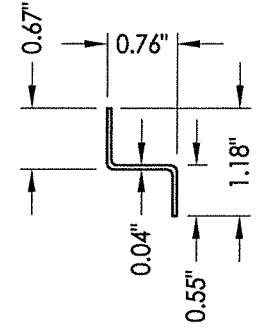
BILL OF MATERIALS					
ITEM	DESCRIPTION	MATERIAL	ITEM	DESCRIPTION	MATERIAL
C	MAX. 1/4" SHIM SPACE	-	23	STANDARD (SHORT) DOOR HINGE MIDDLE BOTTOM REINFORCEMENT	STEEL
E	MASONRY - 3,000 PSI MIN. CONCRETE CONFORMING TO ACI 301 OR HOLLOW BLOCK CONFORMING TO ASTM C90	CONCRETE	24	WEATHER STRIP (THRESHOLD)	NEOPRENE
H	1/4" x 1-3/4" PFH DeWALT OR ITW CONCRETE SCREW	STEEL	25	FRAME 5-3/4" X 2" MIN. (0.056" THK)	STEEL
J	3/8" X 5" PFH ITW DYNABOLT SLEEVE ANCHOR	STEEL	26	FRAME SILL 5-3/4" X 4" MIN. (0.056" THK)	STEEL
M	3/8" X 5" TAPPER CONCRETE SCREW BY POWERS FASTENERS	STEEL	27	LATCH STRIKE REINFORCEMENT	STEEL
N	1/2" X 8" HH SCREW-BOLT+ CONC. ANCHOR (DeWALT/POWERS)	STEEL	28	FRAME HINGE REINFORCEMENT	STEEL
1	"D" OPAQUE STEEL DOOR PANEL	-	29	COLUMBIA DOOR BOTTOM SWEEP #2580	ALUMINUM
2	DOOR SKIN (0.055" THK. STEEL, Fy = 40,317 PSI MIN.)	STEEL	40	THRESHOLD NATIONAL GUARD PRODUCTS, INC. #896	ALUMINUM
3	FOAM 1.0 PCF MIN. DENSITY	POLYSTYRENE	41	THRESHOLD NATIONAL GUARD PRODUCTS, INC. #950	ALUMINUM
4	DOOR TOP & BOTTOM CLOSER	STEEL	42	THRESHOLD PEMKO #2005 V	ALUMINUM
5	LOCK BOX REINFORCEMENT	STEEL	45	95WHA DOOR SWEEP NATIONAL GUARD PRODUCTS, INC.	ALUMINUM
6	CLOSER REINFORCEMENT	STEEL	46	#6 X 3/4" PHILLIPS HEAD SMS	STEEL
8	#12-24 X 1/2" SELF TAPPER	STEEL	53	U-CHANNEL GLASS STOP	STEEL
9	TUBE ANCHOR	STEEL	54	#8 X 1.25" PFH SMS	STEEL
10	#12-24 X 1.0" COMBINATION MACHINE / WOOD SCREW	STEEL	70	SCHLAGE LOCK SET ASSEMBLY ND53PD	STEEL
11	DOOR STILE EDGE REINFORCEMENT	STEEL	71	DESIGN HARDWARE D1-S SERIES DEADBOLT	STEEL
12	MULLION Z BRACKET	STEEL	72	DESIGN HARDWARE "Z" SERIES ENTRY	STEEL
14	COLUMBIA ADA THRESHOLD #6510	ALUMINUM	76	DESIGN HARDWARE D2-S SERIES DEADBOLT	STEEL
15	MULLION MIN. (0.056" THK)	STEEL	77	DESIGN HARDWARE "X" SERIES ENTRY	STEEL
16	ANSI LATCH STRIKE	STEEL	78	OUTSWING THRESHOLD QOSH BY DLP	ALUM/WOOD
17	DEADBOLT STRIKE	STEEL	79	WEATHER-STRIP	FOAM
19	DEADBOLT STRIKE REINFORCEMENT	STEEL	81	DOW 995 STRUCTURAL SILICONE	SILICONE
20	WEATHER-STRIP	NEOPRENE	82	GLASS SPACER	ALUM
21	4-1/2" X 4-1/2" X 0.125" TEMPLATE HINGE	STEEL	83	SILL TUBE ANCHOR	STEEL
22	STANDARD (LONG) DOOR HINGE TOP HINGE REINFORCEMENT	STEEL			



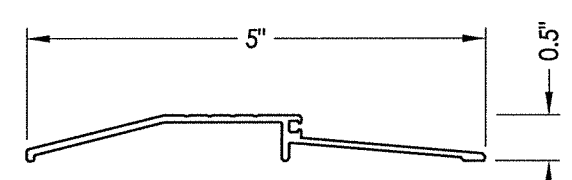
45 DOOR SWEEP



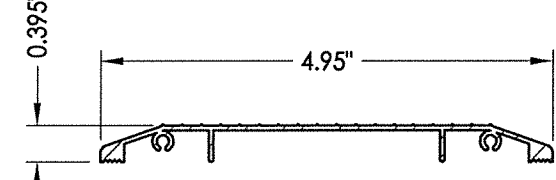
53 GLASS STOP



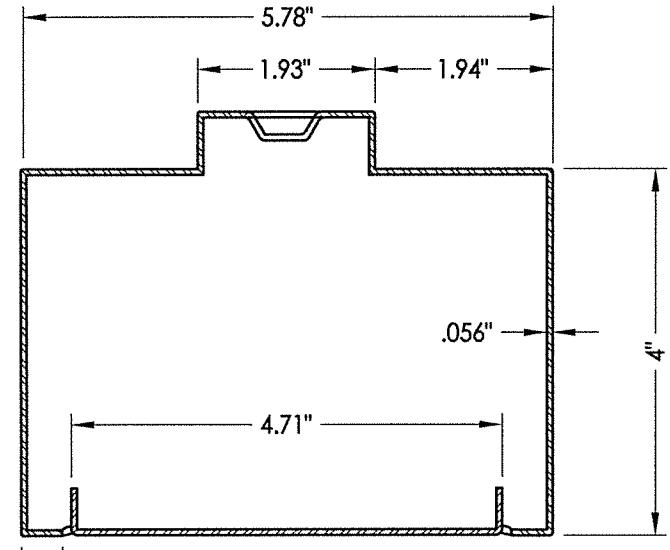
12 MULLION Z BRACKET



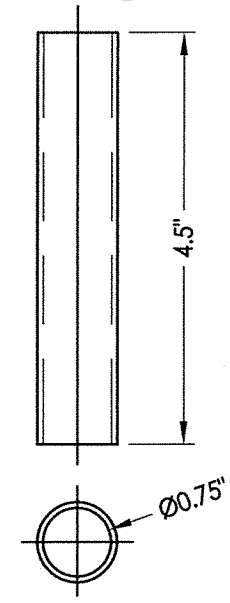
41 THRESHOLD



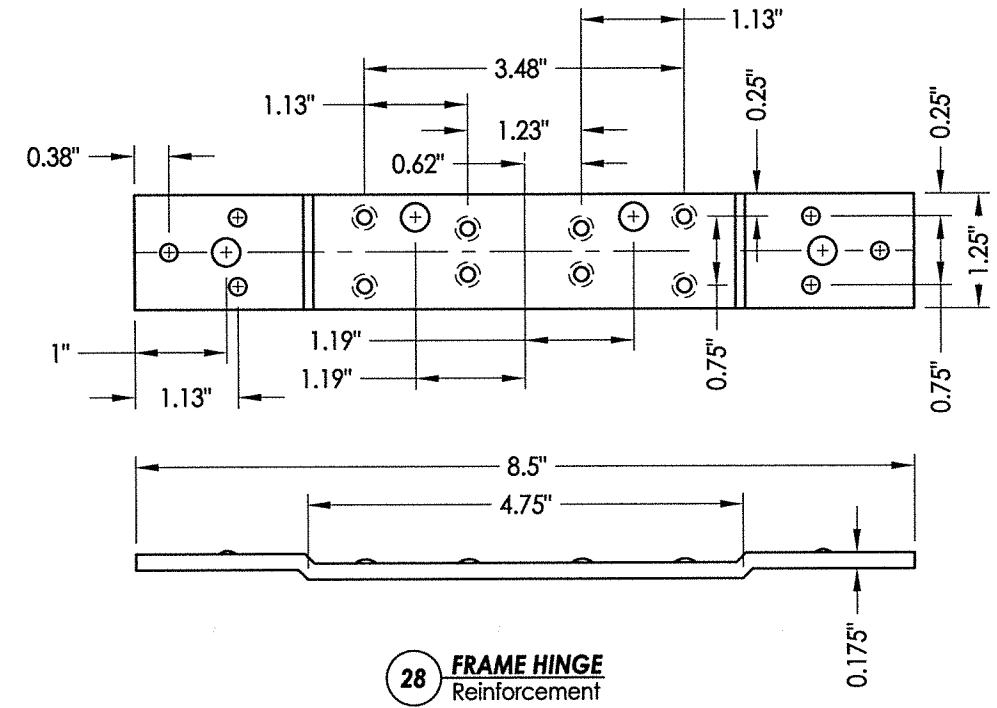
14 THRESHOLD



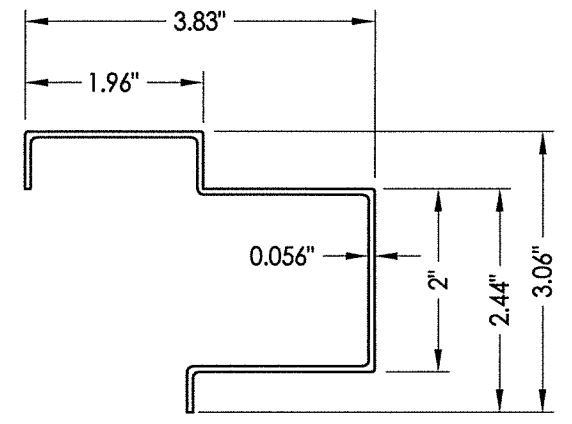
26 HOLLOW METAL FRAME SILL



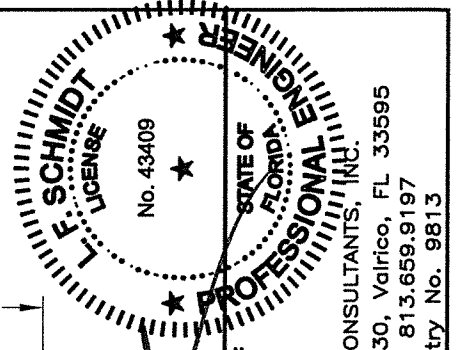
83 SILL TUBE ANCHOR



28 FRAME HINGE Reinforcement



15 MULLION



November 15, 2022
 Documents Prepared By:
 Lyndon F. Schmidt
 P.E. No. 43409
 R.W. BUILDING CONSULTANTS, INC.
 P.O. Box 230, Valrico, FL 33595
 Phone No.: 813.659.9197
 FBPE Registry No. 9813

PRODUCT: PREMIER PRODUCTS, INC. "D" STEEL DOOR
 PART OR ASSEMBLY: BILL OF MATERIALS & COMPONENTS

NO.	DATE	BY

DATE: 11/10/22
 SCALE: N.T.S.
 DWG. BY: LFS
 CHK. BY: RW
 DRAWING NO.: FL-41788.7
 SHEET 9 OF 9